

Physics

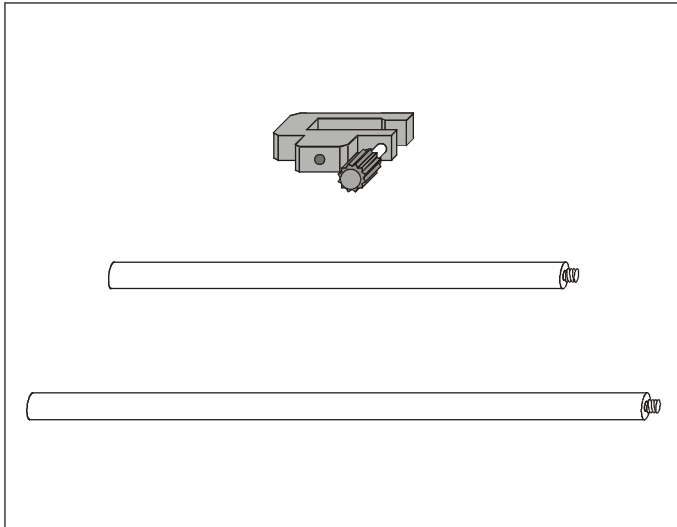
Chemistry · Biology

Technology



Lehr- und Didaktiksysteme
LD Didactic GmbH
Leyboldstrasse 1 · D-50354 Huerth

06/05-W97-Bb



Instruction Sheet 737 15

Support for waveguide components (737 15)

1 Description

The support for waveguide components serves for the set-up of waveguide components for microwaves in the necessary height and the desired polarization.

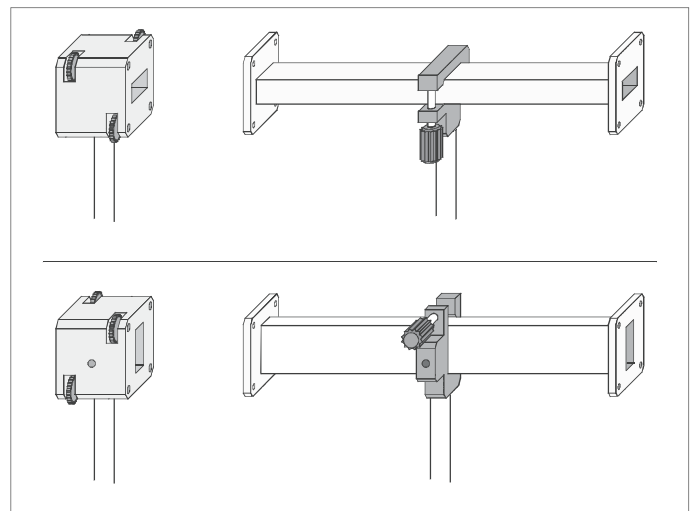
2 Scope of supply

1 holder with knurled screw M4

1 stand rod with thread, 180 mm long, 10 mm dia.

1 stand rod with thread, 245 mm long, 10 mm dia.

3 Set-up



additionally required:

1 stand base MF

301 21

or

1 saddle base

300 11