

Physics

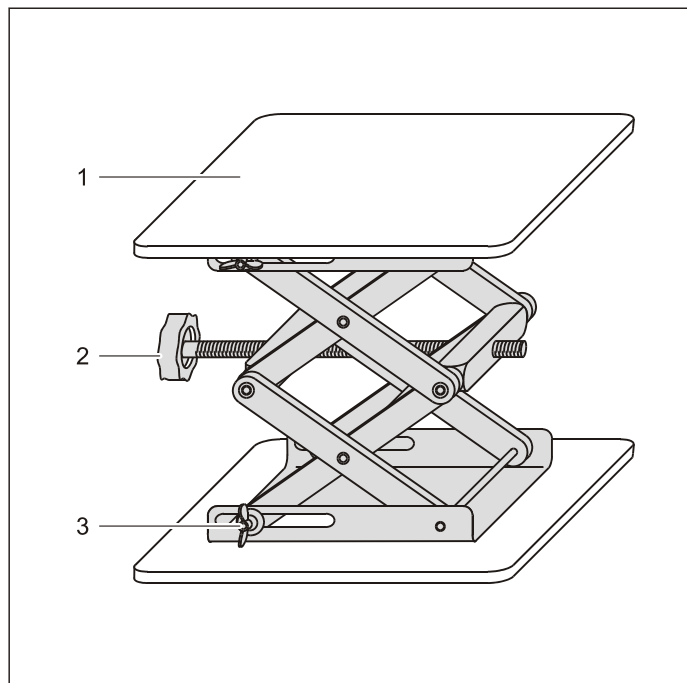
Chemistry · **Biology**

Technology



Lehr- und Didaktiksysteme  
LD Didactic GmbH  
Leyboldstrasse 1 · D-50354 Huerth

06/05-W97-Sel



## Instruction sheet 300 75

Laboratory stand I (300 75)  
Laboratory stand II (300 76)

- 1 Working area
- 2 Vertical adjustment
- 3 Thumb screws

## 1 Description

The laboratory stand is a height-adjustable stand. The adjusted height can be fixed with thumb screws.

## 2 Technical data

### Laboratory stand I (300 75)

Usable area: 320 mm × 220 mm  
Adjustable height: 65 ... 250 mm  
Maximum load: 30 kg (at medium height)

### Laboratory stand II (300 76)

Usable area: 160 mm × 130 mm  
Adjustable height: 65 ... 250 mm  
Maximum load: 50 kg (at medium height)

## 3 Use

- Remove load.
- Untighten thumb screws.
- Adjust desired height.
- Tighten thumb screws.
- Assemble set-up on working area.