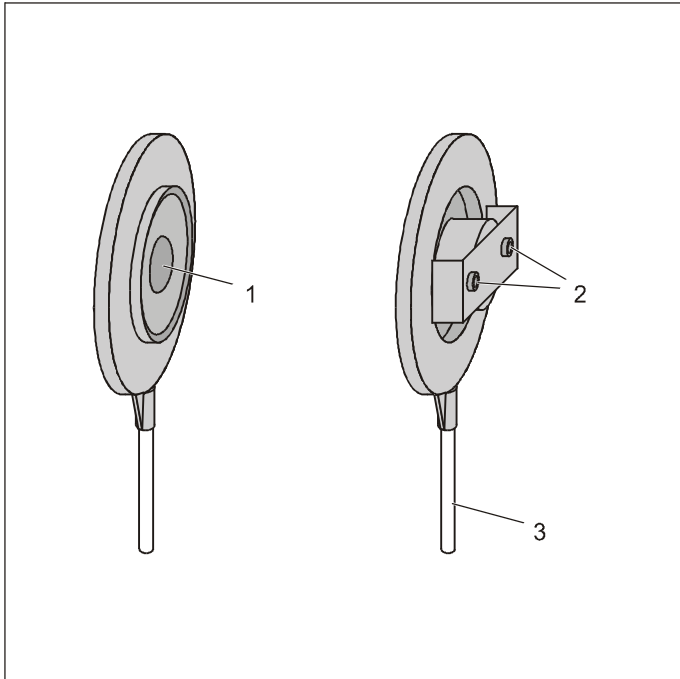


06/05-W97-Kem



Instruction sheet 587 08

Broad-band speaker (587 08)

- 1 Speaker
- 2 Connecting sockets
- 3 Stand rod

1 Description

The broad-band speaker generates sound waves in the frequency range of audibility. It is suitable for experiments related to the velocity of sound, generating standing waves, interference of sound waves and the generation of Chladni's acoustic figures.

2 Technical data

Speaker:

Impedance:	4 Ω
Nominal loadability:	30 W
Resonance frequency:	67 Hz
Average char. sound pressure:	86 dB
Aperture of acoustic baffle:	94 mm \varnothing
Range of transmission:	up to 20 kHz

General data:

Max. supply voltage:	9 V
Protective resistor:	10 Ω / 4 W
Diameter of stand rod:	10 mm
Connecting sockets:	4 mm

Remark

- Protect the membrane from damage.

3 Operation

recommendable signal sources

Function generator S 12	522 62
with transformer 12 V	562 73
Function generator P	522 56
Power function generator	522 63

4 Amplitude and impedance response

