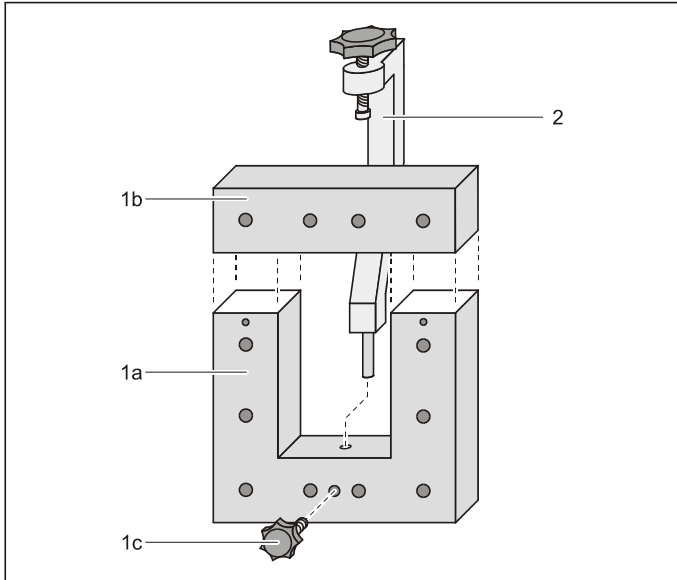


06/05-W97-Sel



Instruction sheet 562 11

U core with yoke (562 11)
Clamping device (562 121)

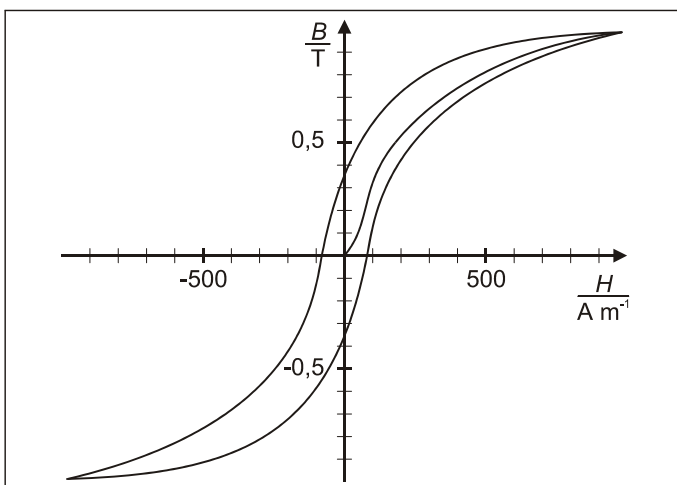
1 U core (1a) with yoke (1b), fixing bolt (1c)
2 Clamping device

1 Description

The U core with yoke (562 11) and the clamping device (562 12) are intended for the assembly of the demountable transformer with the coils indicated in chapter 3.

2 Technical data

Cross section:	4 cm × 4 cm
Width of U core and length of yoke:	15 cm
Height of U core:	13 cm
Material:	Iron, laminated
Max. relative permeability μ_r at the initial curve:	approx. 2200 at $H = 120 \text{ A m}^{-1}$



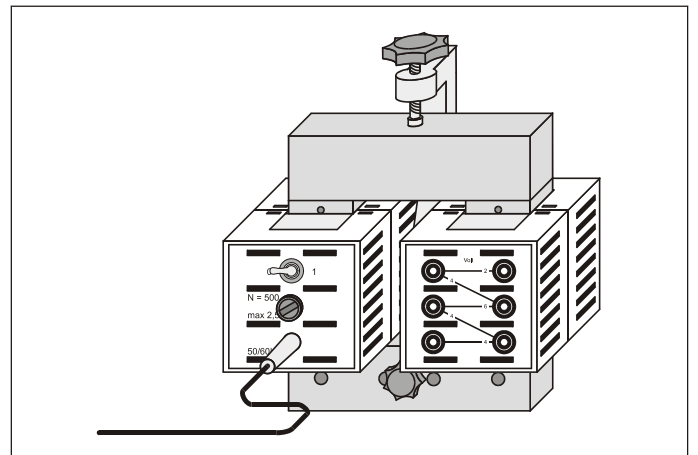
Hysteresis curve of the U core with yoke

3 Suitable coils

Low voltage coil $N = 250$	562 13
Low voltage coil $N = 480, I = 10 \text{ A}$	562 131
Low voltage coil $N = 500$	562 14
Low voltage coil $N = 1000$	562 15
High voltage coil $N = 10000$	562 16
High voltage coil $N = 23000$	562 17
Extra-low voltage coil $N = 50$	562 18
Mains coil 230 V	562 21
Mains coil 115 V	562 22

4 Use

- Mount primary and secondary coil.
- Put unpainted side of the yoke on the U core.
- Clamp yoke using the clamping device.



5 Clamps

The clamps are used to secure coils to the U-core of the demonstration transformer in case it is used without pole pieces.

The two clamps are made of steel wire and so bent that their ends can engage resiliently with the two pairs of lateral bores of a U-core

