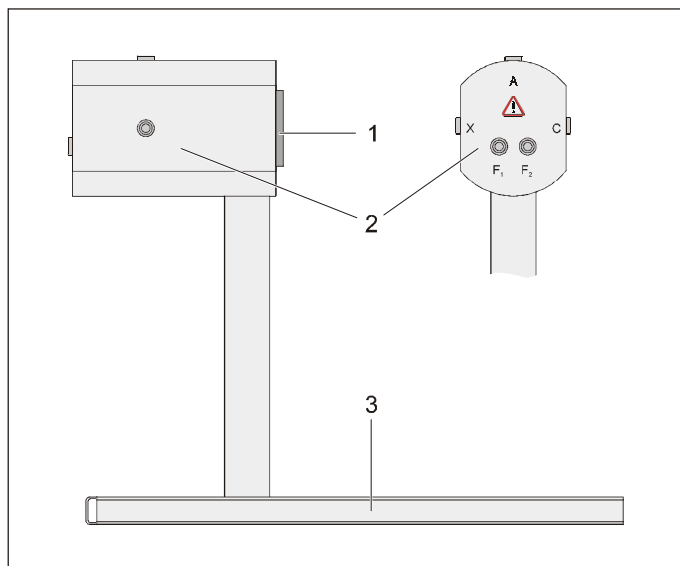


06/05-W97-lv/Sel



Instruction sheet 555 600

Tube stand (555 600)

- 1 Socket, for pin base of the tube
- 2 Termination panel, with 4-mm safety sockets
- 3 Baseplate

Safety notes

The tube stand complies with the safety requirements for electrical measuring, control and laboratory equipment in accordance with DIN EN 61010 Teil 1 and is designed according to Class II. It is intended for operation in dry rooms which are suitable for electrical equipment and devices.

If the tube stand is used as prescribed, its safe operation is guaranteed. However, safety is not guaranteed if the device is improperly used or carelessly handled.



- Before putting the tube stand into operation, examine it for damage. In case of visible damage, put the tube stand out of operation and make sure that it is not used inadvertently.
- Do not exceed the maximum voltage specified in the technical data.

If the tube stand is used in conjunction with some of the LD demonstration tubes (555 610 ff), hazardous contact voltages may be applied.

- Connect the tube stand only when an LD demonstration tube is inserted in the socket.
- Read the instruction sheet of the inserted LD demonstration tube.
- Use only faultless safety connection leads (500 600 ff) for connecting the tube stand.

1 Description

The tube stand provides safe mechanical hold for an LD demonstration tube (555 610 ff) and ensures safe electric contacting of its pin base. Marks on the baseplate make it easier to align a pair of coils (555 604) in Helmholtz geometry.

2 Technical data

Maximum voltage:

between socket A and socket F ₁ , F ₂ , C or X:	10 kV DC not contact-hazardous (i.e. $I \leq 2$ mA) 500 V DC contact-hazardous 250 V AC contact-hazardous
between socket X and socket F ₁ , F ₂ or C:	5 kV DC not contact-hazardous (i.e. $I \leq 2$ mA) 500 V DC contact-hazardous 250 V AC contact-hazardous

General data:

Socket:	8-pole
Connections:	five 4-mm safety sockets
Resistance between sockets F ₁ and C:	100 k Ω
Dimensions:	350 mm × 160 mm × 320 mm
Mass:	2.5 kg

3 Operation

- Hold the LD demonstration tube horizontally, and turn it so that the two pins with the greatest distance in the pin base point downwards.
- Carefully insert the pin base in the socket of the tube stand until it stops and connect it via the termination panel according to the instruction sheet of the tube.