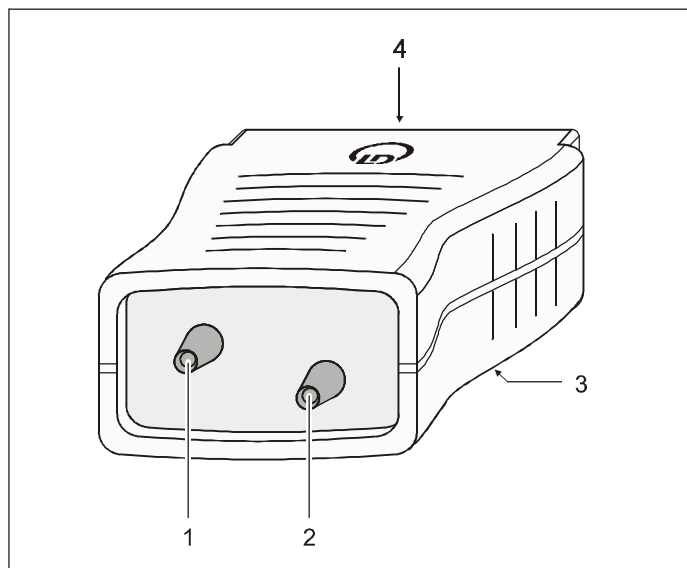


05/01-W97-SEL



Instruction sheet 524 066

Pressure sensor S, ± 70 hPa (524 066)

- 1 Pressure connection p_1
- 2 Pressure connection p_2
- 3 M6 thread
- 4 Sub-D-15 plug

1 Description

The pressure sensor S enables differential pressures $\Delta p = p_1 - p_2$ between 0 and ± 70 hPa to be measured. It is used in conjunction with the CASSY[®] computer-assisted measurement system and connected directly to the Sensor-CASSY (524 010).

- The pressure sensor S can be connected to any 15-pin connection site of the Sensor-CASSY at any time.
- After the pressure sensor S has been connected, it is recognised automatically by the CASSY Lab software (524 200) or the CASSY-Display (524 020), depending on the use of the Sensor-CASSY.
- Voltage supply, control lines and data transmission of the pressure sensor S are all realised via a single 15-pin sub-D plug.
- For use at a remote sensor location the pressure sensor S can be connected to the Sensor-CASSY via the extension cable (501 11).

2 Technical data

Measuring ranges:	$\pm 0,7$ hPa, ± 7 hPa, ± 70 hPa
Resolution:	0.05 % of measuring range
M6 thread:	fitting the threaded stand rod (309 00 335)

3 Scope of supply

- 1 pressure sensor S, ± 70 hPa
- 2 m PVC tubing, int. dia. 3×1 mm (667 192)
- 2 connectors, with nipple (604 520)

4 Software and firmware requirements

CASSY Lab 1.2 or higher version (the current version of CASSY Lab is available in the internet under <http://www.leybold-didactic.com>).

If Sensor-CASSY (524 010) or CASSY-Display (524 020) does not recognise the pressure sensor S, a firmware update may be necessary:

- Connect the Sensor-CASSY or CASSY-Display to a PC and start the current version of the CASSY Lab software.
- Conform the firmware to the version of CASSY Lab with "Update CASSY Modules".

5 Pressure connection

- Slide a suitably sized piece of PVC tubing over the pressure connection so that it is well fixed even at overpressure.
- Transition to a tube with another diameter or connection to a GL gland is possible with a connector from the scope of supply.

CASSY[®] is a registered trademark of LEYBOLD DIDACTIC GmbH