

Physics

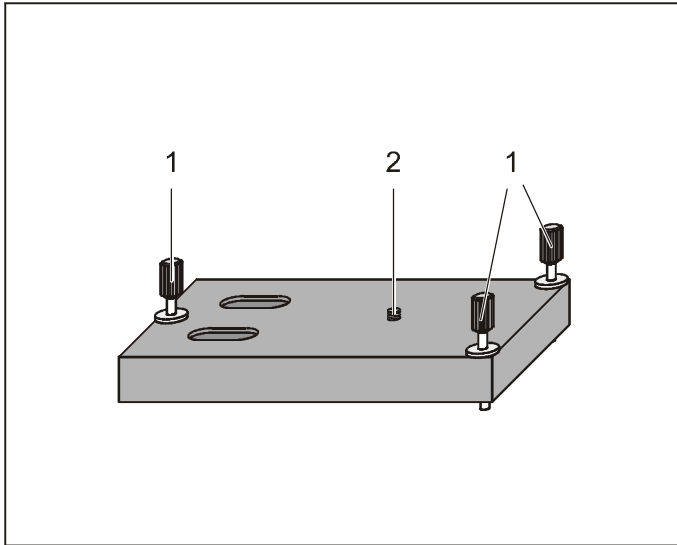
Chemistry · Biology

Technology



Lehr- und Didaktiksysteme
LD Didactic GmbH
Leyboldstrasse 1 · D-50354 Huerth

06/05-W97-Sel



Instruction Sheet 473 411

Laser mount (473 411)

- 1 Adjustment screws with lock nuts
- 2 Fixing bolt

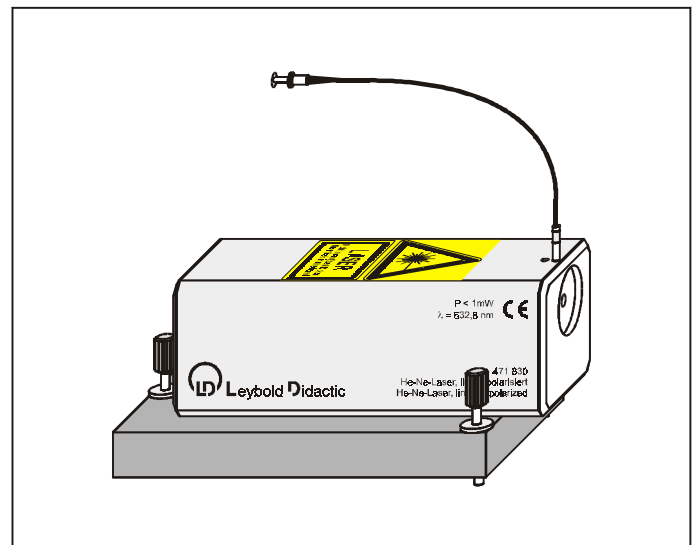
1 Description

The laser mount enables a stable three-point stand for the He-Ne laser (471 830), adjustable in height and inclination as necessary for experiments with laser optics base plate (473 40).

2 Technical data

Length:	150 mm
Width:	120 mm
Mass:	300 g

3 Operation



- Screw the fixing bolt (cross-notched) form down into the thread of the He-Ne laser.
- Put He-Ne laser with laser mount e.g. on the laser optics base plate.
- Untighten the lock nuts at the adjustment screws.
- Adjust height and inclination of the laser beam by adjustment screws (use diaphragm of spherical lens (473 47) as reference for experiments on the laser optics base plate).
- Tighten the lock nuts.