

11/97-Sf-

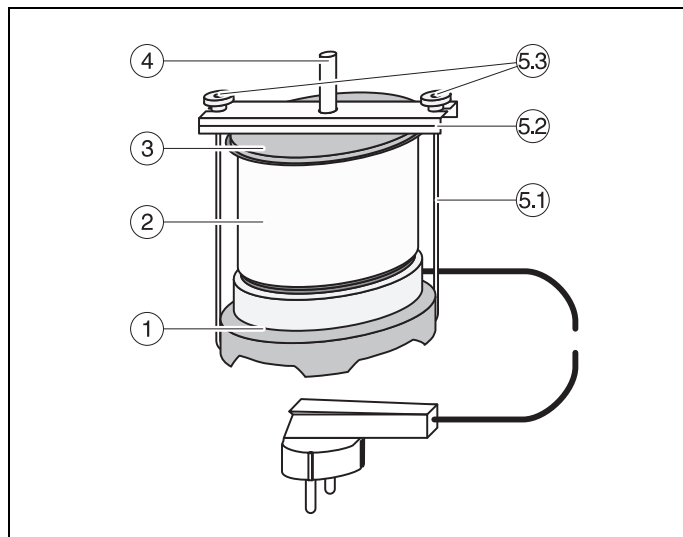
**Instruction sheet****303 28****Steam Generator**

Fig. 1

The steam generator is used to generate steam, e.g. to heat the pressure chamber for demonstrating the critical temperature (371 401) or the metal tubes in the apparatus for heat expansion (381 34 and 35)

This device can also be used to heat small quantities of water.

**1 Safety notes**

- **Caution: hot steam!**  
Handle the apparatus only with a cloth pot-holder or similar!
- Do not operate the hot plate without the pot or when the pot is empty.
- Always fill the apparatus with water before connecting it to the mains power!
- Make sure that the steam can escape freely, so that no excess pressure can build up.

**2 Scope of supply, technical data**

- ① Hot plate (dia. 8.5 cm) on ceramic base with built-in overheating protection  
Power: 230 V; 50/60 Hz via power lead  
Power: 550 W
- ② Aluminum pot, 300 ml
- ③ Laminated-fabric cover with rubber seal
- ④ Steam opening, outside diameter 8 mm, for connection to a rubber hose
- ⑤ Clamping device to ensure that the cover rests firmly on the pot, consisting of wire strap (5.1), bridge (5.2), 2 knurled screws (5.3)

Dimensions: 12.5 cm x 15 cm x 12.5 cm

Total weight: 2 kg

**3 Operation**

Important: read and observe the safety notes (section 1)!

Loosening and tightening the clamping device ⑤: loosen screws (5.3) until the strap (5.1) can be extended as shown in Fig. 2 to permit removal or seating of cover ③ with attached bridge (5.2). To secure the cover, screw the screws tight, but without using excessive force.

Connect steam opening ④ to the device to be heated using a rubber hose with an inside diameter of 7 mm to 8 mm (e.g. 307 65).

The water will begin to boil after about 3 minutes for a water level of 2 cm.

**4 Care and maintenance**

Protect the hot plate from water and dry it thoroughly if it becomes wet in order to prevent rust.

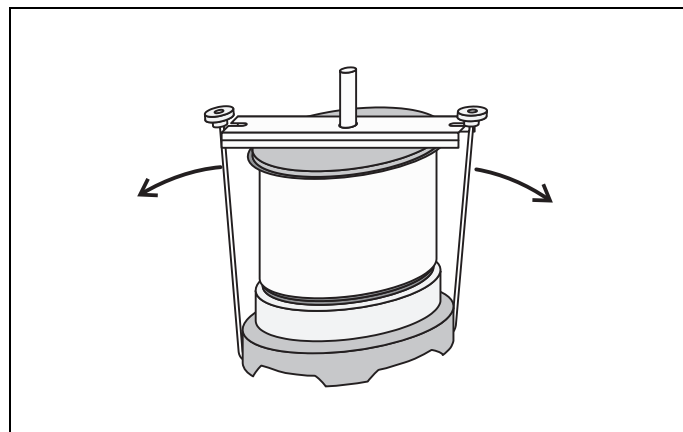


Fig. 2