

# Electricity with the Modular System

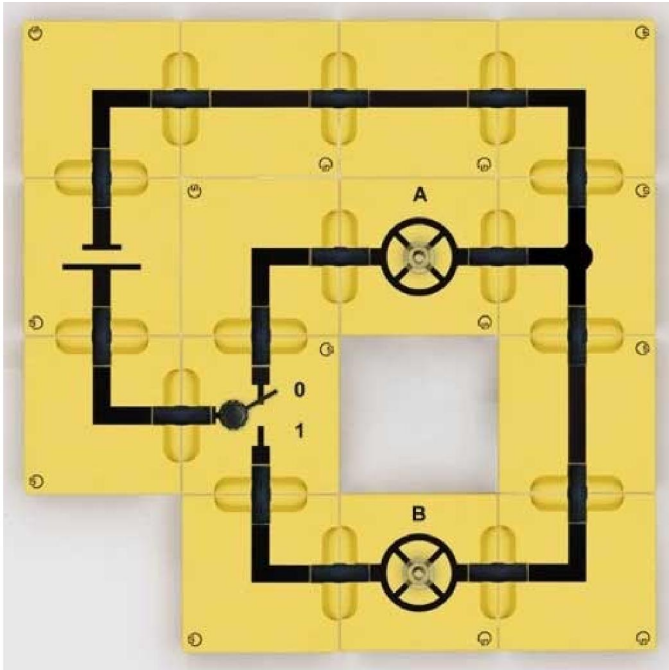
Basic Electric Circuits  
Switches in the circuit

## Switching over

### Objective of the experiment

To demonstrate the operating mode of a change-over switch.

### Setup



### Apparatus

2	539 024	Lamp sockets E10, BST
2	from 505 11	Incandescent lamps, 2.5 V / 0.1 A, E10
1	539 026	Change-over switch, BST
1	539 053	Battery element, BST
3	539 001	Connector blocks BST, straight
6	539 004	Connector blocks BST, 90° angle
1	539 006	Connector block BST, T branch
15	539 000	Bridging plug, BST
1	301 300	Demonstration experiment frame
1	301 301	Adhesive magnetic board

**Carrying out the experiment**

- Screw the incandescent lamps into the lamp sockets and set up the circuit.
- Demonstrate the working principle of the switch over by operating the switch.

**Observation**

Switch position	Lamp A lit up	Lamp B lit up
0	yes	no
1	no	yes

**Evaluation**

With the help of a switch over, two lamps can be switched on or off using a change-over switch. The lamp whose circuit is closed by the change-over switch, is the lamp that lights up.